



4184 E. Conant St.
 Long Beach, CA 90808
 Tel. 800-500-3519
 Fax. 310-900-1066
 www.turboairinc.com

| | |
|-----------------|-------|
| Project : | |
| Model # : | |
| Item # : | Qty : |
| Available W/H : | |
| Approval : | |

Compartment Sinks (No Drain Board)

HIGH QUALITY 304 STAINLESS STEEL

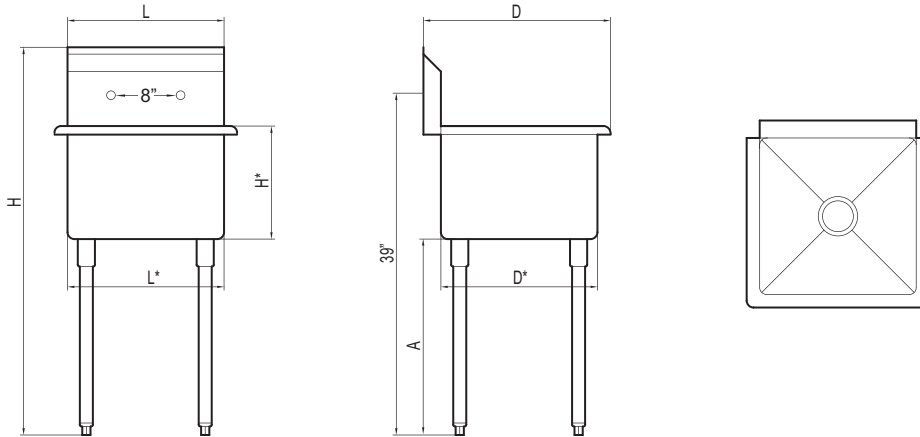
**Model : TSA-1MOP
 TSA-1-N / TSB-1-N / TSC-1-N**

≡ FEATURES & BENEFITS ≡

- Entire assembly is fused, shielded and polished providing a one-piece seamless sink unit
- Welded areas are high-speed belt blended to match adjacent surfaces with the continuity of a satin finish
- All sink compartments are covered on a full 5/8" radius and constructed using state of the art seamless welding techniques
- Die-stamped creased drain boards for positive drainage
- Swirl away bowl drainage
- Galvanized legs and gussets are standard on all models
- Our strainers are built with brass nuts instead of aluminum (standard)
- Adjustable ABS bullet feet
- Crating service available
- Stainless steel legs available (optional)



* Faucet sold separately



(unit : inch)

| Model | Ga. | Bowl Size (L* x D* x H*) | Length | Depth | Height | Leg(A) | # of Faucet Accepted | Net Weight* (lbs.) |
|----------|-----|--------------------------|--------|--------|--------|--------|----------------------|--------------------|
| TSA-1MOP | 18 | 18 x 18 x 13 | 21 | 21 1/2 | 44 1/2 | 22 1/2 | 1 | 30 |
| TSA-1-N | 18 | 18 x 18 x 13 | 21 | 21 1/2 | 44 1/2 | 22 1/2 | 1 | 30 |
| TSB-1-N | 16 | 24 x 24 x 14 | 27 | 27 1/2 | 44 1/2 | 19 1/2 | 1 | 51 |
| TSC-1-N | 18 | 18 x 21 x 14 | 21 | 24 1/2 | 44 1/2 | 19 1/2 | 1 | 43 |